



**Properties**

- Ø12 mm housing
- 2 mm, flush and 4 mm, non-flush mountable versions
- AC, 2-wire switching output
- Cable version

**Further Products**

In this series, we offer additionally:  
**NBB2-12GM60-WS**  
 Technical data like NJ2-12GM50-WS but:  
 Operating voltage: 20 ... 150 V AC  
 Switching frequency: 0 ... 25 Hz  
 Operating voltage indicator: LED, green  
 Housing material: Brass, nickel plated  
 Length L: 60 mm  
 Thread length  $l_t$ : 60 mm

**Technical Data**

For detailed data and product description refer to the data sheets at [www.pepperl-fuchs.com](http://www.pepperl-fuchs.com)

**General Data**

Type of voltage	AC
Operating voltage	20 ... 253 V
Reverse polarity protection	tolerant
Switching frequency	0 ... 20 Hz
Operating current	5 ... 200 mA
Indication of the switching state	LED, yellow
Ambient temperature	-25 ... 70 °C (-13 ... 158 °F)
Housing material	Stainless steel 1.4305 / AISI 303
Protection degree	IP67
Connection type	cabl PVC , 2 m

**Model Number**

Rated operating distance	2 mm	4 mm		
Installation	flush			
	non-flush			
Switching element function	AC	NO		
	AC	NC		

	NJ2-12GM50-WS	NJ2-12GM50-WO	NJ4-12GM50-WS	NJ4-12GM50-WO
Rated operating distance 2 mm	●	●		●
Rated operating distance 4 mm		●		●
Installation flush	●	●		
Installation non-flush			●	●
Switching element function AC NO	●		●	
Switching element function AC NC		●		●

**Approvals and Certificates**

UL approval	cULus Listed, General Purpose	●	●	●	●
CSA approval	cCSAus Listed, General Purpose	●	●	●	●
CCC approval	Certified by China Compulsory Certification (CCC)	●	●	●	●

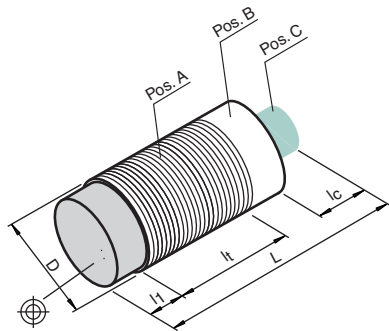
**Dimensions**

Length L [mm]			50	
Diameter D [mm]			12	
Thread length $l_t$ [mm]		50		45
Cap length $l_1$ [mm]		0		5
Connector area $l_c$ [mm]			0	
LED position			Pos. A	

**Accessories**

This and more accessories can be found in chapter 10  
 See pages from 972 ... for cordsets      See pages 1068 ... for mounting aids

<b>BF 12</b>	Mounting flange, 12 mm
<b>EXG-12</b>	Quick mounting bracket with dead stop



**Electrical Connection**

NJ4-12GM50-WS  
 NJ2-12GM50-WS  
 NBB2-12GM60-WS

NJ4-12GM50-WO  
 NJ2-12GM50-WO

